

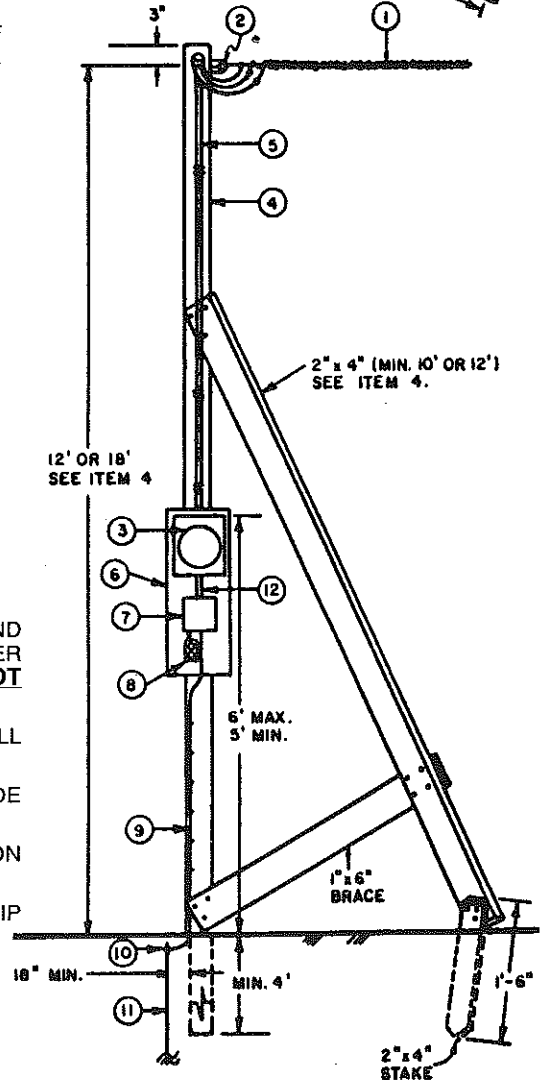
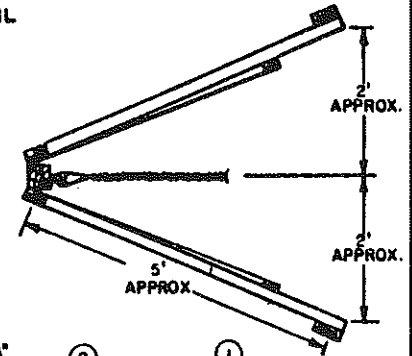
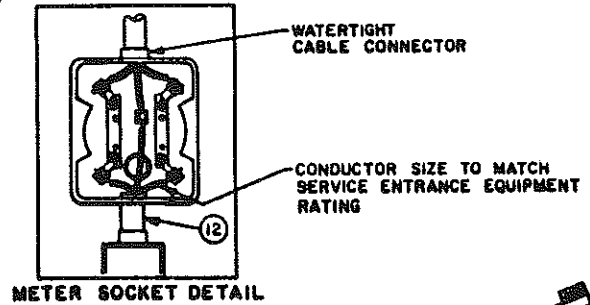
**TEMPORARY SERVICE INSTALLATION FROM OVERHEAD
100-200 AMP, 120/240 VOLTS, 3 WIRE, SINGLE PHASE**

PROVIDED & INSTALLED BY NOBLE REMC

- ① 3 CONDUCTOR SERVICE TO CUSTOMERS SUPPORT.

PROVIDED & INSTALLED BY CUSTOMER

- ② INSULATED SCREW KNOB.
③ METER SOCKET TO BE MOUNTED PLUMB.
④ TEMPORARY STRUCTURE FOR ATTACHING SERVICE DROP, MINIMUM (1) 4" x 4" OR (2) 2" x 4" NAILED TOGETHER FULL LENGTH. MINIMUM BRACE LENGTH: 10' FOR 12' SERVICE HEIGHT — 12' FOR 18' SERVICE HEIGHT. AN ALTERNATE SUPPORT, TOOL SHED ETC. MAY BE USED FOR SERVICE DROP ATTACHMENT IF IT PROVIDES EQUAL STRENGTH AND PROPER CLEARANCE. SEE NOTE A.
⑤ SERVICE ENTRANCE CABLE OR CONDUIT. MIN. SIZE #6 OR #8 CU. 3 CONDUCTOR OR LARGER TO MATCH CUSTOMER FUSED SWITCH OR CIRCUIT BREAKER WITH WEATHERHEAD. SEE NOTE C & E.
⑥ EQUIPMENT MOUNTING BOARD, 3/4" MIN. OF SOLID TREATED LUMBER.
⑦ SERVICE ENTRANCE FUSED SWITCH OR CIRCUIT BREAKER, 3 WIRE WEATHER-PROOF. SEE NOTE D.
⑧ ONE OR MORE DUPLEX GROUNDING TYPE RECEPTACLES (WEATHERPROOF IF NOT ENCLOSED) ONE PER BRANCH FUSE OR CIRCUIT BREAKER. SEE NOTE D.
⑨ GROUND WIRE #6 BARE CU. MIN. STAPLED TO POLE. DO NOT ROUTE GROUND WIRE THROUGH METER BASE.
⑩ N.E.C. APPROVED GROUND CLAMP SUITABLE FOR BURIAL
⑪ 2-N.E.C. APPROVED GROUND RODS (5/8"X8'). (ALLOW A MINIMUM SEPARATION OF 6' BETWEEN GROUND RODS.)
⑫ STEEL CONDUIT REQUIRES GROUNDING BUSHINGS.



NOTES:

- A. NOBLE REMC MUST DETERMINE THE TEMPORARY STRUCTURE LOCATION AND HEIGHT SO THAT THE REMC SERVICE WILL HAVE PROPER CLEARANCE PER THE CURRENT NATIONAL ELECTRIC SAFETY CODE. **SERVICE LENGTH NOT TO EXCEED 100'.**
- B. ALUMINUM ELECTRICAL JOINT COMPOUND SHALL BE APPLIED TO ALL ALUMINUM CONDUCTORS BEFORE CONNECTIONS ARE MADE.
- C. THE CUSTOMER MUST FOLLOW THE CURRENT NATIONAL ELECTRIC CODE AND ALL THE LOCAL CODES.
- D. THE NATIONAL ELECTRIC CODE REQUIRES GROUND FAULT PROTECTION INCLUDED IN SERVICE EQUIPMENT OR RECEPTACLES.
- E. LEAVE 30" MIN. OF 3 CONDUCTORS OUT OF WEATHERHEAD TO FORM DRIP LOOP FOR CONNECTING TO REMC SERVICE.

Noble REMC
A Touchstone Energy[®] Cooperative
The power of human connections